



Actros Single Trailer Prime Mover.

Mercedes-Benz
Trucks you can trust



The Mercedes-Benz Single Trailer Prime Mover Range.

The Mercedes-Benz Single Trailer Prime Mover range impresses not only with a comfortable driver workplace, but also with precisely coordinated, job-matched vehicle configurations, impressive fuel savings compared with its predecessor, efficient technology and attractive service offers which increases the overall effectiveness further still.

Reliability. Operators who earn their money in road-bound goods transport need reliability. In other words: trucks they can count on. With the Actros we are able to offer you a vehicle incorporating the rich fund of experience and expertise acquired over more than 100 years of German engineering. Equipped with leading Mercedes-Benz vehicle technology and components tested under the toughest conditions. This applies to engines, gearshifts, transmissions and drive axles as well as frames, chassis, suspension and cabs. Everything is perfectly coordinated, in order to meet all requirements reliably, even in extreme conditions.

Efficiency. Mercedes-Benz trucks stand for particularly high economic efficiency worldwide. The Actros also meets the highest standards of efficiency, based first and foremost on its particularly low fuel consumption. Low wear and a higher resale value are additional merits contributing to its high overall economic efficiency. To this end, numerous innovative technical measures were implemented in the course of developing the Actros. These result in engines with higher performance and lower fuel consumption, a powertrain which enables a particularly economical driving style, and an aerodynamic design honed down to the finest details in the interest of fuel efficiency.

Comfort. Anyone who spends a lot of time on the road needs space of their own. And space for the essentials needed on long journeys. This is why the cabs of the Actros offer particularly spacious interiors – with vast amounts of stowage space and plenty of freedom of movement. In short, working, living and sleeping comfort which is geared to the work of long-distance drivers and meets their high expectations, too.



ClassicSpace L-cab, 2.30 m, tunnel 320 mm or 170 mm.

The comfortable 2300 mm-wide cab offers the driver an ergonomic, comfortable workplace and is ideally designed to meet the requirements of regional and interstate transport.

ClassicSpace M-cab, 2.30 m, tunnel 320 mm.

The 2300 mm-wide cab with 320 mm engine tunnel and 2000 mm length is suitable for almost every operation. Plenty of storage behind the seats and an option for a fold down bunk if needed.



Consumption. The economical Euro VI engines are available in three displacement classes 7.7 l, 10.7 l and 12..8l with a total of 5 power output ratings from 260 kW (354 hp) to 375 kW (510 hp). In conjunction with the precisely tuned power-train configurations and the sophisticated aerodynamics, the Euro VI Mercedes-Benz engine achieves fuel savings up to 7%* compared with the predecessor models.

Description	Vehicle 1	Vehicle 2	Vehicle 3	Vehicle 4	Vehicle 5	Vehicle 6	Vehicle 7
Segment	4x2 Single Trailer	4x2 Single Trailer	4x2 Single Trailer	4x2 Single Trailer	4x2 Single Trailer	4x2 Single Trailer	4x2 Single Trailer
Range	Actros	Actros	Actros	Actros	Actros	Actros	Actros
Model	1835	1840	1843	1846	1840	1843	1846
Wheelbase	3700	3700	3700	3700	3700	3700	3700
Drivetrain	4x2	4x2	4x2	4x2	4x2	4x2	4x2
Engine	OM936	OM470	OM470	OM470	OM470	OM470	OM470
Engine power	350 hp	400 hp	430 hp	460 hp	400 hp	430 hp	460 hp
Cab	M-Cab Classic Space 2.3 320 mm ET	M-Cab Classic Space 2.3 320 mm ET	M-Cab Classic Space 2.3 320 mm ET	M-Cab Classic Space 2.3 320 mm ET	L-Cab Classic Space 2.3 320 mm ET	L-Cab Classic Space 2.3 320 mm ET	L-Cab Classic Space 2.3 320 mm ET

Description	Vehicle 1	Vehicle 2	Vehicle 3	Vehicle 4	Vehicle 5
Segment	6x4 Single Trailer	6x4 Single Trailer	6x4 Single Trailer	6x4 Single Trailer	6x4 Single Trailer/B-Double
Range	Actros	Actros	Actros	Actros	Actros
Model	2643	2646	2643	2646	2651
Wheelbase	3250	3250	3250	3250	3250
Drivetrain	6x4	6x4	6x4	6x4	6x4
Engine	OM470	OM470	OM470	OM470	OM471
Engine power	430 hp	460 hp	430 hp	460 hp	510 hp
Cab	M-Cab Classic Space 2.3 320 mm ET	M-Cab Classic Space 2.3 320 mm ET	L-Cab Classic Space 2.3 320 mm ET	L-Cab Classic Space 2.3 320 mm ET	L-Cab Classic Space 2.3 320 mm ET

*The declared fuel consumption figures are determined by testing under standardised laboratory conditions to comply with ADR 81 /02. Real world fuel consumption is influenced by many additional factors such as individual driving style, load, traffic and vehicle condition. The declared fuel consumption figure should only be used for the purpose of comparison amongst vehicles.

Equipment Highlights.

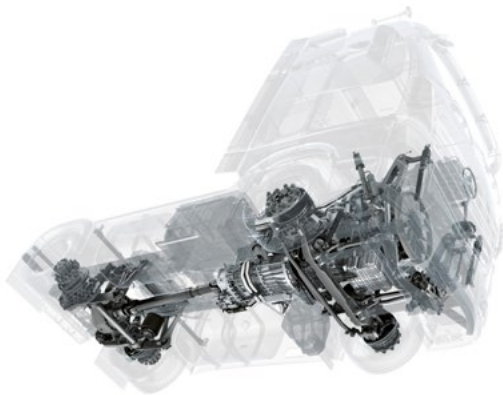
Powertrain. Mercedes PowerShift 3 provides fast shifting from forward to reverse and high-ratio reverse gears for easy manoeuvring. Moving off is noticeably more comfortable thanks to the crawl function.

Rear axle guide. The innovative rear axle guide also plays a decisive role in the excellent handling: compared with a conventional wishbone, the connection points of the two trailing arms are positioned further towards the outside. This results in the best possible transverse stability, little need for corrective steering and very good understeer/oversteer characteristics.

Tank capacity. Actros Single Trailer Prime Movers can be equipped with a tank capacity of up to 860 litres. This makes for a long operating range and saves money by avoiding the need to retrofit add-on tanks.

Suspension components. All the suspension elements in the Actros are precisely tuned to one another: from the seats to the cab mountings to the 4-bellow or 8-bellow air suspension at the rear axle – the overall result is a high degree of suspension comfort for the workplace and a ride which helps protect both the vehicle and its cargo.

Frame. The frame of the Actros is uncompromisingly geared to use in long-distance transport. The 834 mm wide track and the rigid design ensure good roadholding and comfortable handling. Other advantages include the 50 mm matrix of pre-drilled holes throughout as well as a large range of wheelbases, frame overhangs and end cross members.



Total Cost of Ownership.



Agility. A Mercedes-Benz Financial program, designed to provide exceptional flexibility and peace of mind. Best of all, Agility allows us to guarantee the future value of your vehicle, meaning when your truck comes to the end of the financial contract, you have the option to trade it in for a new vehicle, retain it, or return the vehicle*.



EcoTraining. Mercedes-Benz EcoTraining teaches a way of driving that allows you to make even better use of the technical potential of your truck for even further fuel savings.



Maintenance. The information displayed in the cockpit provides you with advance warning about when your vehicle's next maintenance visit is due. This is determined on the basis of the continuous evaluation of data about the actual workload of the vehicle: for example, every single cold start, the degree of brake pad wear, the condition of the engine oil and all major assembly oils. In this way, maintenance can be planned anticipatively and can be combined with statutory inspections, for example. This avoids additional downtime.



Mercedes-Benz service contracts. From warranty extensions to maintenance packages to a comprehensive service package including wear items – the Mercedes-Benz graduated range of service contracts offers flexible repair and maintenance products which are geared to customers' requirements and which allow them to plan monthly costs and make optimal use of their fleet capacity.



Ease of repair. The introduction of the new Euro VI emissions standard brought with it considerable additional technical sophistication. Right back at the design stage, care was taken to ensure that all the components are not only particularly robust but can also be replaced or repaired particularly quickly and cost-effectively, resulting in lower costs and higher efficiency.

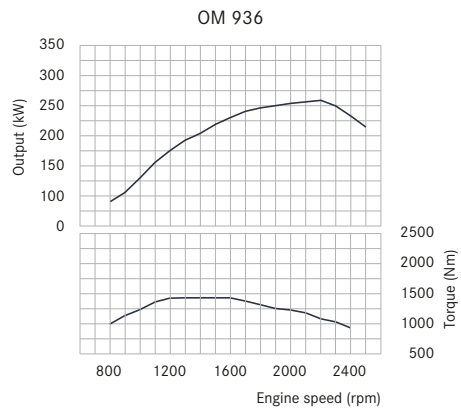


Mercedes-Benz GenuineParts. High-quality genuine parts at an affordable price will translate to value retention and overall economic benefits for you. The extensive range of parts, efficient logistics and quick availability across the country are further advantages.

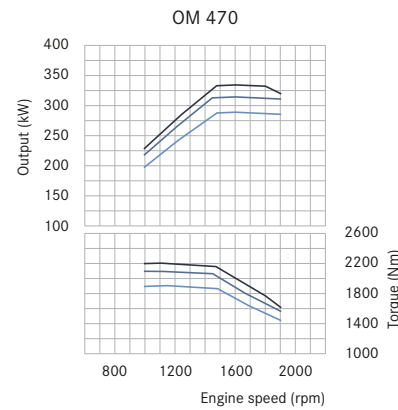


*Agility Finance is restricted to approved customers of Mercedes-Benz Financial Services Australia Pty Ltd ABN 73 074 134 517 and is subject to standard credit assessment and lending criteria. Please contact an authorised Mercedes-Benz dealer for further details and full terms and conditions (including vehicle eligibility). Guaranteed Future Value (GFV) is subject to Fair Wear and Tear return conditions and Excess Kilometre charges.

Engines and Cabs.

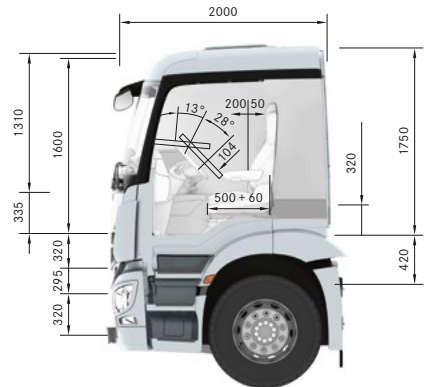


6-cylinder in-line, 7.7 l displacement	
kW (hp)	Nm
at 2200 rpm	at 1200-1600 rpm
260 (354)	1400



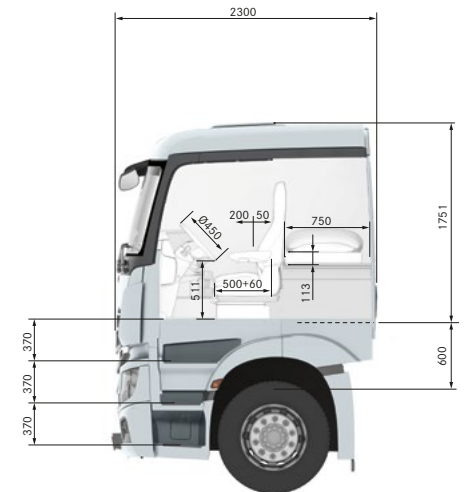
6-cylinder in-line, 10.7 l displacement	
kW (hp)	Nm
at 1600 rpm	at 1100 rpm
290 (394)	1900
315 (428)	2100
335 (455)	2200

ClassicSpace M-cab
(exterior width 2300 mm, engine tunnel)



Engine tunnel: 320 mm
Headroom over engine tunnel: 1310 mm

ClassicSpace L-cab (2)
(exterior width 2300 mm, engine tunnel)



Engine tunnel: 170 mm
Headroom on engine tunnel: 1460 mm
Headroom in front of the seats: 1590 mm

Advantages at a glance.

Drive Train:

- Mercedes-Benz OM 936 7.7 litre engine, OM 470 10.7 litre engine and OM 471 12.8 litre engine options
- Fully automated 8 and 12 speed Mercedes-Benz PowerShift 3 transmission
- Fuel efficient single reduction axles
- Electronic Braking System incorporating ABS, Stability Control, Hill Hold and Traction Control

Cab:

- Mid cabs for day to day operation
- Sleeper cabs for regional or interstate operation
- Double zinc coated and cathodic dip priming for optimal corrosion protection
- Ergonomic cockpit designed with the drivers needs in mind
- Aerodynamically tested and designed for optimal efficiency on the road

Value Add Services:

- 4 year, 800,000 km driveline warranty
- 2 year, unlimited km bumper to bumper warranty
- 5 year, 500,000 km free servicing included[†]
- Agility, Service Plans and Maintenance Contracts all available



[†] Free servicing offer subject to change. Contact your local authorised Dealer for further information.

Please note: changes may have been made to the products since this brochure went to press (October 2016). Contact your local authorised Mercedes-Benz Trucks Dealership for further information.
www.mercedes-benz.com.au/trucks